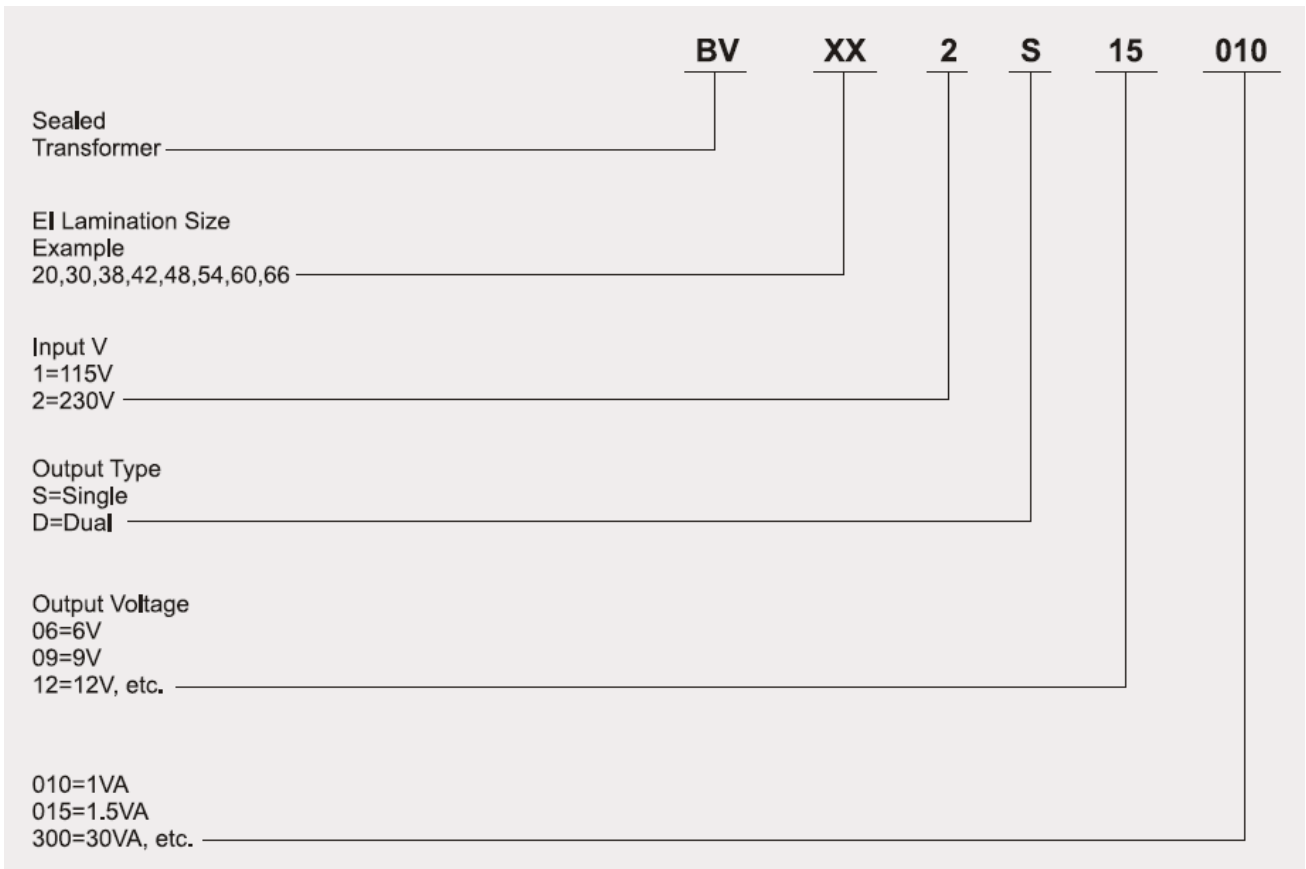


**4.0VA SEALED TRANSFORMER EI38X15 SERIES**



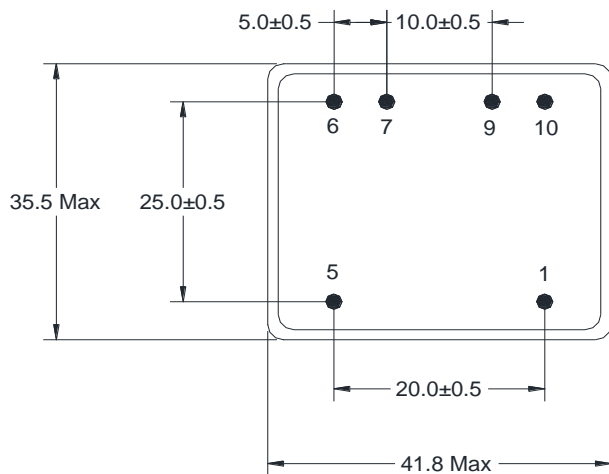
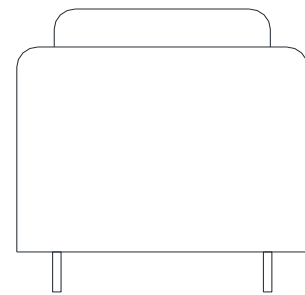
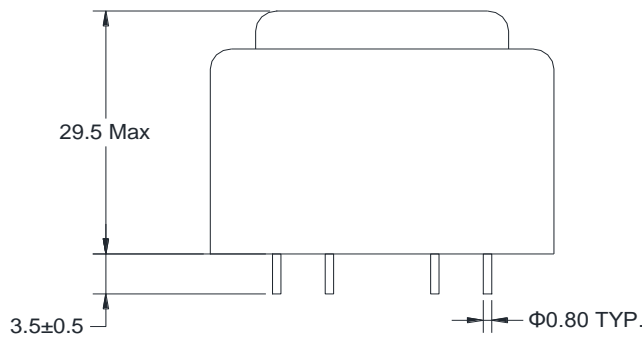
**ORDERING CODE**



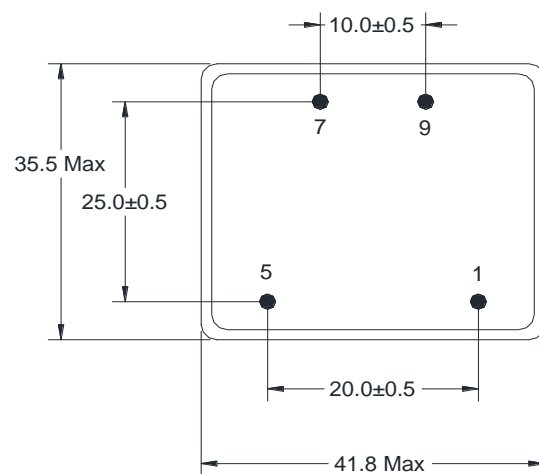
### FEATURES

- CQC Approved:  
CQC file No.: CQC 10001054660
- Vacuum Filling
- Split Bobbin Design
- Self-Extinguishing Plastics UL94V-0
- Dielectric Strength:  
Input 115V: 2800Vrms  
Input 230V: 4200Vrms
- Operation Frequency: 50/60Hz
- Resin Class B IEC 85  
(20,000 h Testing to IEC 216)
- 100% Production Tested

### OUTLINE DIMENSIONS

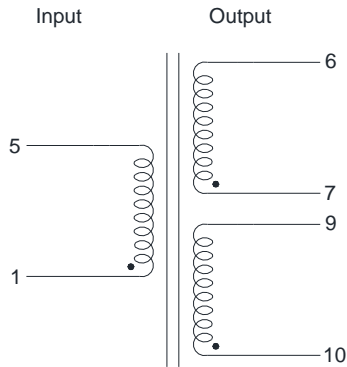


Dual output

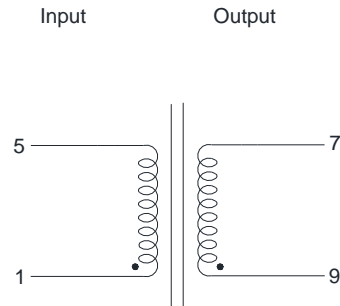


Single output

### SCHEMATIC DIAGRAM:



Dual outputs



Single output

### ELECTRONIC SPECIFICATIONS

Order Number	Input Voltage (V)	SEC. Voltage (V)	Rated Current (mA)	Rated Power (VA)	No-load Voltage (V)	Ambient TEMP. (°C)	Weight (g)	Certificate			
								VDE	UL	CQC	CE
BV381S06040	115V	6	666	4.0	8.6 Max	T 70 B	167				
BV381S09040	115V	9	444	4.0	12.6 Max	T 70 B	167				
BV381S10040	115V	10	400	4.0	14.0 Max	T 70 B	167				
BV381S12040	115V	12	333	4.0	16.5 Max	T 70 B	167				
BV381S15040	115V	15	266	4.0	20.8 Max	T 70 B	167				
BV381S18040	115V	18	222	4.0	24.7 Max	T 70 B	167				
BV381S24040	115V	24	166	4.0	33.5 Max	T 70 B	167				
BV381D06040	115V	2x6	2x333	4.0	2x8.6 Max	T 70 B	167				
BV381D09040	115V	2x9	2x222	4.0	2x12.6 Max	T 70 B	167				
BV381D10040	115V	2x10	2x200	4.0	2x14.0 Max	T 70 B	167				
BV381D12040	115V	2x12	2x166	4.0	2x16.5 Max	T 70 B	167				
BV381D15040	115V	2x15	2x133	4.0	2x20.8 Max	T 70 B	167				
BV381D18040	115V	2x18	2x111	4.0	2x24.7 Max	T 70 B	167				
BV381D24040	115V	2x24	2x83	4.0	2x33.5 MAX	T 70 B	167				
BV382S06040	230V	6	666	4.0	8.6 Max	T 70 B	167			●	
BV382S09040	230V	9	444	4.0	12.6 Max	T 70 B	167			●	
BV382S10040	230V	10	400	4.0	14.0 Max	T 70 B	167			●	
BV382S12040	230V	12	333	4.0	16.5 Max	T 70 B	167			●	
BV382S15040	230V	15	266	4.0	20.8 Max	T 70 B	167			●	
BV382S18040	230V	18	222	4.0	24.7 Max	T 70 B	167			●	
BV382S24040	230V	24	166	4.0	33.5 Max	T 70 B	167			●	
BV382D06040	230V	2x6	2x333	4.0	2x8.6 Max	T 70 B	167			●	
BV382D09040	230V	2x9	2x222	4.0	2x12.6 Max	T 70 B	167			●	
BV382D10040	230V	2x10	2x200	4.0	2x14.0 Max	T 70 B	167			●	
BV382D12040	230V	2x12	2x166	4.0	2x16.5 Max	T 70 B	167			●	
BV382D15040	230V	2x15	2x133	4.0	2x20.8 Max	T 70 B	167			●	
BV382D18040	230V	2x18	2x111	4.0	2x24.7 Max	T 70 B	167			●	
BV382D24040	230V	2x24	2x83	4.0	2x33.5 MAX	T 70 B	167			●	