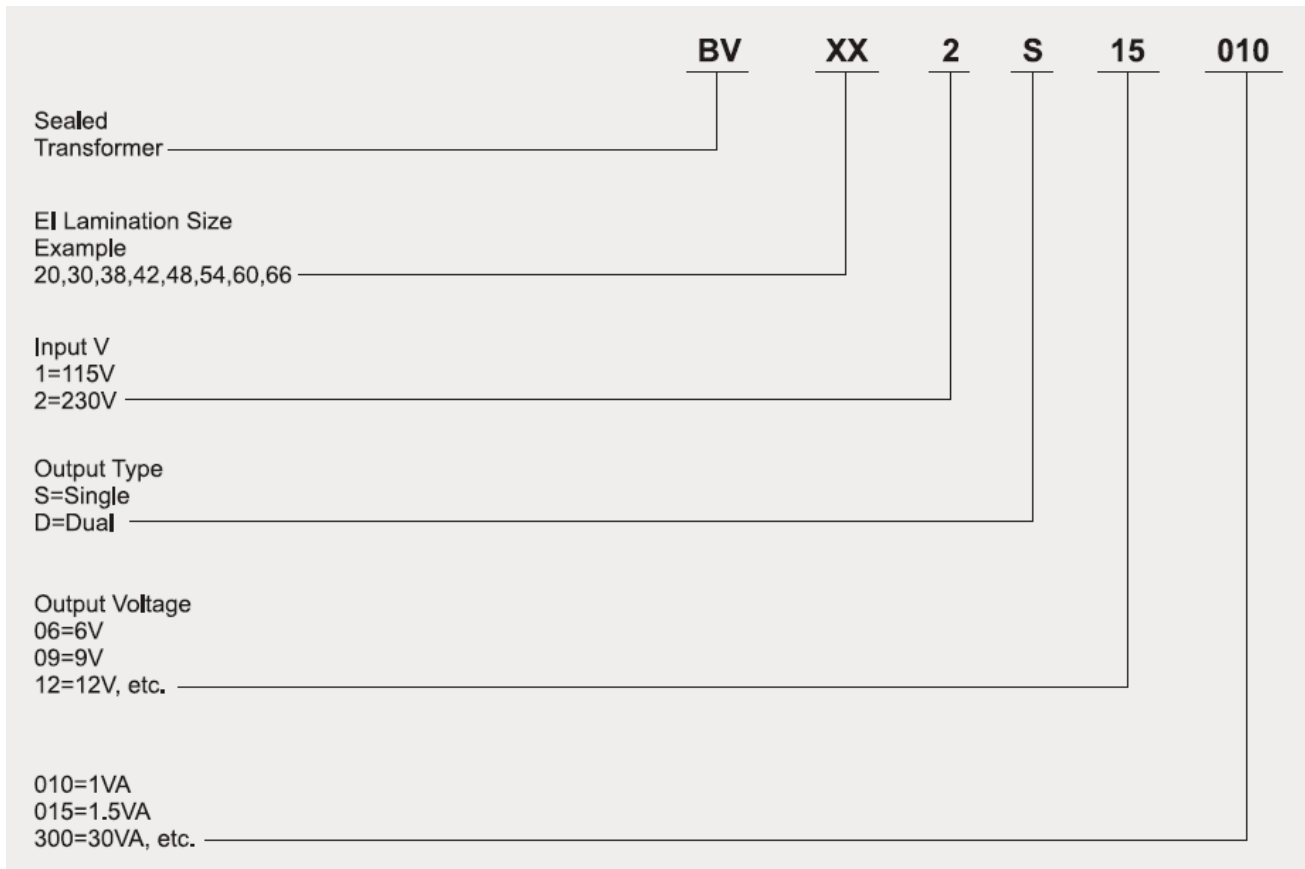


**3.2VA SEALED TRANSFORMER EI38X13.6 SERIES**



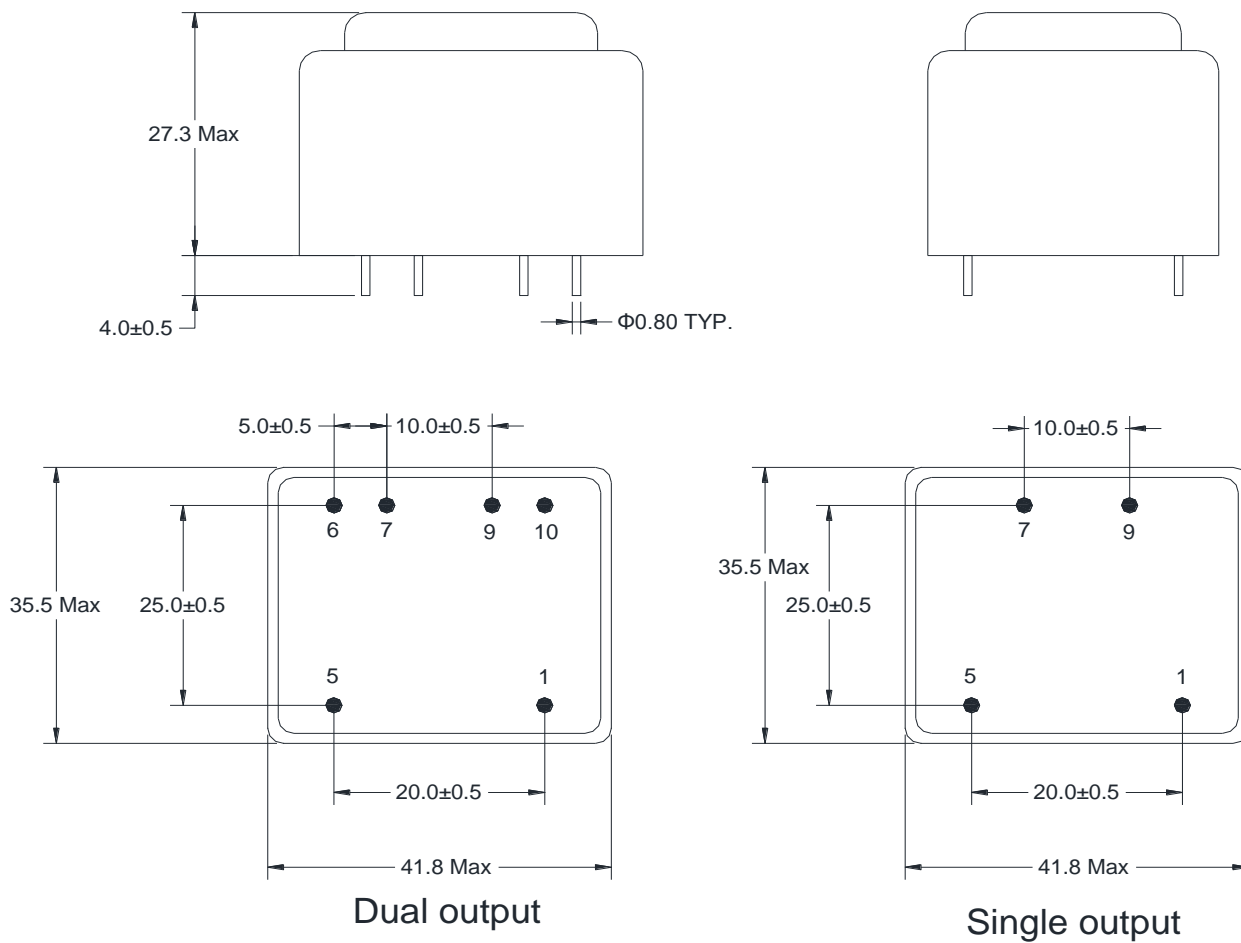
**ORDERING CODE**



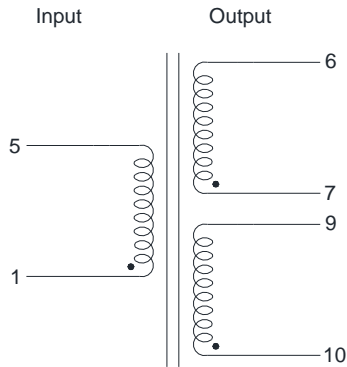
### FEATURES

- VDE CQC Approved:  
VDE file No.: 40032536  
CQC file No.: CQC 10001054660
- Vacuum Filling
- Split Bobbin Design
- Self-Extinguishing Plastics UL94V-0
- Dielectric Strength:  
Input 115V: 2800Vrms  
Input 230V: 4200Vrms
- Operation Frequency: 50/60Hz
- Resin Class B IEC 85  
(20,000 h Testing to IEC 216)
- 100% Production Tested

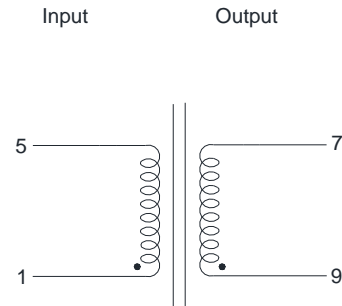
### OUTLINE DIMENSIONS



### SCHEMATIC DIAGRAM:



Dual outputs



Single output

### ELECTRONIC SPECIFICATIONS

Secondary Protection (mA)	Order Number	Input Voltage (V)	SEC. Voltage (V)	Rated Power (VA)	No-load Voltage (V)	Ambient TEMP. (°C)	Weight (g)	Certificate			
								VDE	UL	CQC	CE
T630	BV381S06032	115V	6	3.2	8.0 Max	T 70 B	148	●		●	●
T400	BV381S09032	115V	9	3.2	12.0 Max	T 70 B	148	●		●	●
T400	BV381S10032	115V	10	3.2	15.0 Max	T 70 B	148	●		●	●
T315	BV381S12032	115V	12	3.2	16.0 Max	T 70 B	148	●		●	●
T250	BV381S15032	115V	15	3.2	20.0 Max	T 70 B	148	●		●	●
T200	BV381S18032	115V	18	3.2	24.1 Max	T 70 B	148	●		●	●
T160	BV381S24032	115V	24	3.2	32.4 Max	T 70 B	148	●		●	●
T315	BV381D06032	115V	2x6	3.2	2x8.0 Max	T 70 B	148	●		●	●
T200	BV381D09032	115V	2x9	3.2	2x12.0 Max	T 70 B	148	●		●	●
T200	BV381D10032	115V	2x10	3.2	2x15.0 Max	T 70 B	148	●		●	●
T160	BV381D12032	115V	2x12	3.2	2x16.0 Max	T 70 B	148	●		●	●
T125	BV381D15032	115V	2x15	3.2	2x20.0 Max	T 70 B	148	●		●	●
T100	BV381D18032	115V	2x18	3.2	2x24.1 Max	T 70 B	148	●		●	●
T80	BV381D24032	115V	2x24	3.2	2x32.4 Max	T 70 B	148				●
T630	BV382S06032	230V	6	3.2	8.0 Max	T 70 B	148	●		●	●
T400	BV382S09032	230V	9	3.2	12.0 Max	T 70 B	148	●		●	●
T400	BV382S10032	230V	10	3.2	15.0 Max	T 70 B	148	●		●	●
T315	BV382S12032	230V	12	3.2	16.0 Max	T 70 B	148	●		●	●
T250	BV382S15032	230V	15	3.2	20.0 Max	T 70 B	148	●		●	●
T200	BV382S18032	230V	18	3.2	24.1 Max	T 70 B	148	●		●	●
T160	BV382S24032	230V	24	3.2	32.4 Max	T 70 B	148	●		●	●
T315	BV382D06032	230V	2x6	3.2	2x8.0 Max	T 70 B	148	●		●	●
T200	BV382D09032	230V	2x9	3.2	2x12.0 Max	T 70 B	148	●		●	●
T200	BV382D10032	230V	2x10	3.2	2x15.0 Max	T 70 B	148	●		●	●
T160	BV382D12032	230V	2x12	3.2	2x16.0 Max	T 70 B	148	●		●	●
T125	BV382D15032	230V	2x15	3.2	2x20.0 Max	T 70 B	148	●		●	●
T100	BV382D18032	230V	2x18	3.2	2x24.1 Max	T 70 B	148	●		●	●
T80	BV382D24032	230V	2x24	3.2	2x32.4 Max	T 70 B	148				●