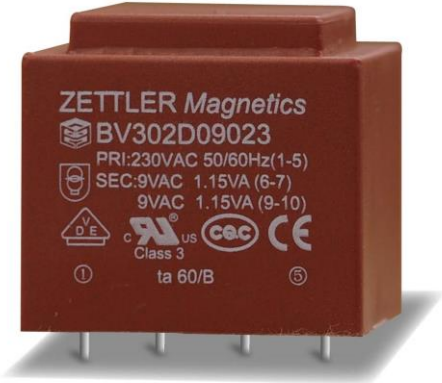
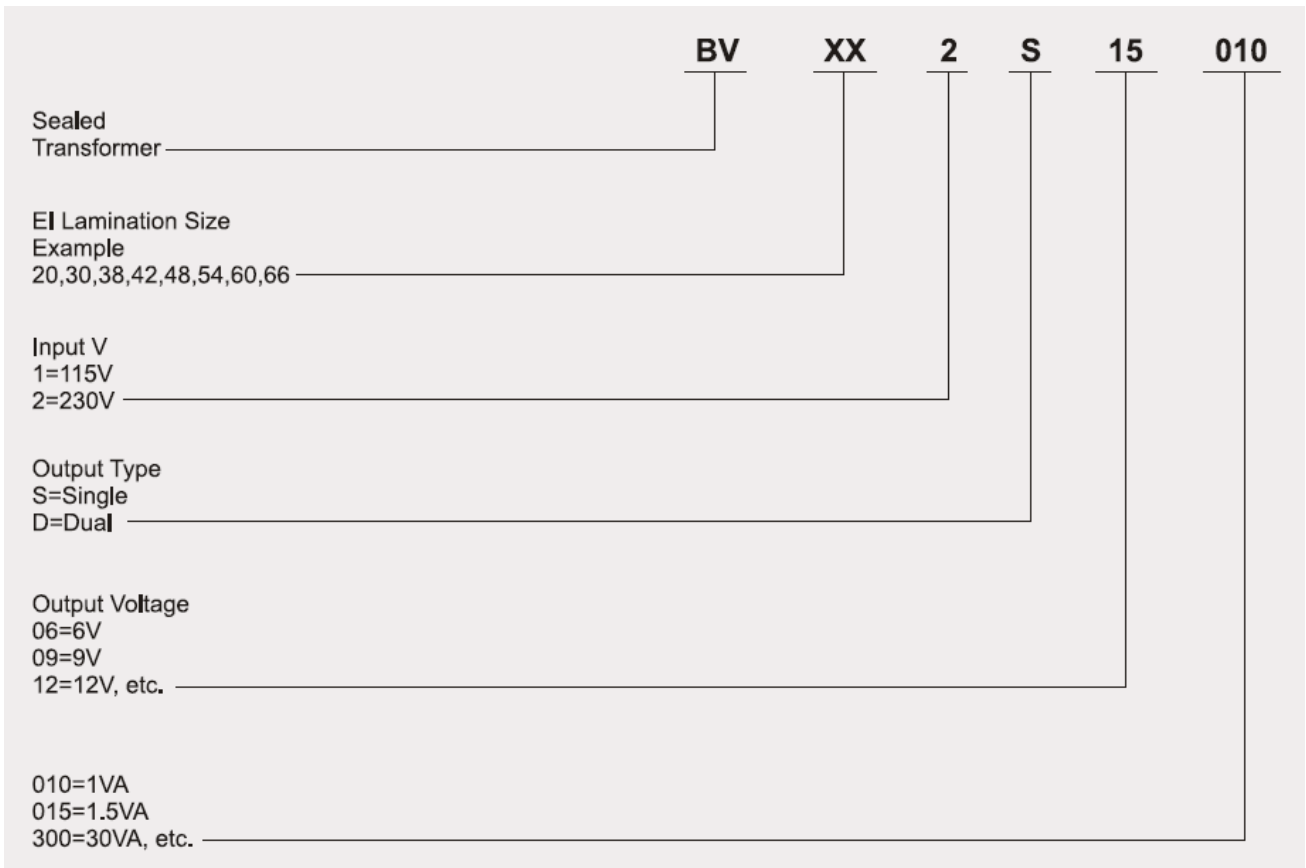


## 2.8VA SEALED TRANSFORMER EI30X18 SERIES



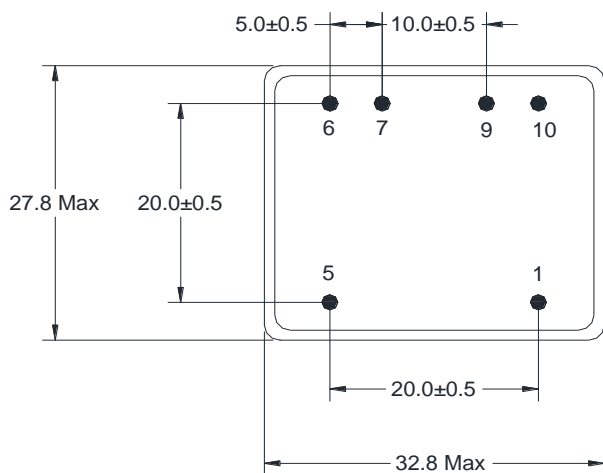
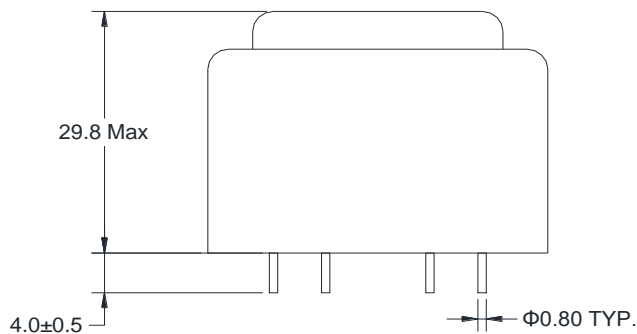
### ORDERING CODE



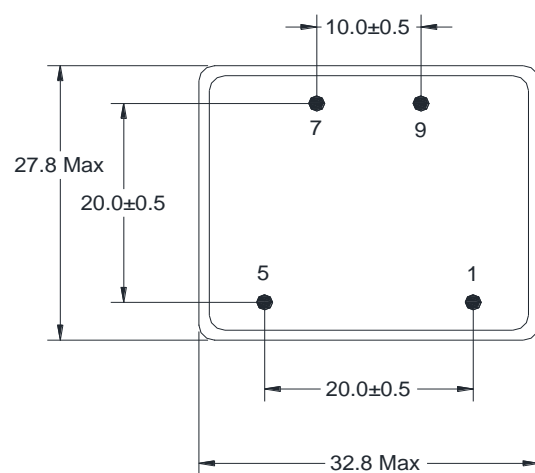
### FEATURES

- VDE, UL5085-1,-2,-3, CE Approved:  
UL file No.: E177998  
VDE file No.: 40022230  
CQC file No.: CQC09001030821
- Vacuum Filling
- Split Bobbin Design
- Self-Extinguishing Plastics UL94V-0
- Dielectric Strength:  
Input 115V: 2800Vrms  
Input 230V: 4200Vrms
- Inherently Energy Limited
- Resin Class B IEC 85  
(20,000 h Testing to IEC 216)
- Conforms to EN 61558 and EN 60950
- 100% Production Tested

### OUTLINE DIMENSIONS

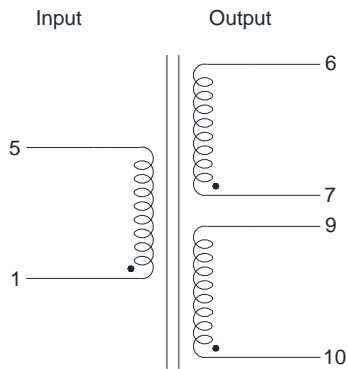


Dual output

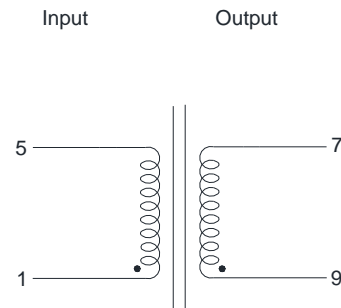


Single output

### SCHEMATIC DIAGRAM:



Dual outputs



Single output

### ELECTRONIC SPECIFICATIONS

Order Number	Input Voltage	SEC.Voltage (V)	Rated Power (VA)	No-load Voltage (V)	Ambient TEMP. (°C)	Weight (g)	Certificate			
							VDE	UL	CQC	CE
BV301S06028	115V 50/60Hz	6	2.8	10.8 Max	T 40 B	110	●	▲		●
BV301S09028	115V 50/60Hz	9	2.8	15.4 Max	T 40 B	110	●	▲		●
BV301S10028	115V 50/60Hz	10	2.8	16.5 Max	T 40 B	110	●	▲		●
BV301S12028	115V 50/60Hz	12	2.8	21.1 Max	T 40 B	110	●	▲		●
BV301S15028	115V 50/60Hz	15	2.8	26.3 Max	T 40 B	110	●	▲		●
BV301S18028	115V 50/60Hz	18	2.8	30.9 Max	T 40 B	110	●	▲		●
BV301S24028	115V 50/60Hz	24	2.8	43.5 Max	T 40 B	110	●	▲		●
BV301D06028	115V 50/60Hz	2x6	2.8	2x10.8Max	T 40 B	110	●	▲		●
BV301D09028	115V 50/60Hz	2x9	2.8	2x15.4 Max	T 40 B	110	●	▲		●
BV301D10028	115V 50/60Hz	2X10	2.8	2x16.5 Max	T 40 B	110	●	▲		●
BV301D12028	115V 50/60Hz	2x12	2.8	2x21.1 Max	T 40 B	110	●	▲		●
BV301D15028	115V 50/60Hz	2x15	2.8	2x26.3 Max	T 40 B	110	●	▲		●
BV301D18028	115V 50/60Hz	2x18	2.8	2x30.9 Max	T 40 B	110		▲		●
BV301D24028	115V 50/60Hz	2x24	2.8	2x43.5 Max	T 40 B	110		▲		●
BV302S06028	230V 50/60Hz	6	2.8	10.8 Max	T 40 B	110	●	▲	●	●
BV302S09028	230V 50/60Hz	9	2.8	15.4 Max	T 40 B	110	●	▲	●	●
BV302S10028	230V 50/60Hz	10	2.8	16.5 Max	T 40 B	110	●	▲	●	●
BV302S12028	230V 50/60Hz	12	2.8	21.1 Max	T 40 B	110	●	▲	●	●
BV302S15028	230V 50/60Hz	15	2.8	26.3 Max	T 40 B	110	●	▲	●	●
BV302S18028	230V 50/60Hz	18	2.8	30.9 Max	T 40 B	110	●	▲	●	●
BV302S24028	230V 50/60Hz	24	2.8	43.5 Max	T 40 B	110	●	▲	●	●
BV302D06028	230V 50/60Hz	2x6	2.8	2x10.8Max	T 40 B	110	●	▲	●	●
BV302D09028	230V 50/60Hz	2x9	2.8	2x15.4 Max	T 40 B	110	●	▲	●	●
BV302D10028	230V 50/60Hz	2X10	2.8	2x16.5 Max	T 40 B	110	●	▲	●	●
BV302D12028	230V 50/60Hz	2x12	2.8	2x21.1 Max	T 40 B	110	●	▲	●	●
BV302D15028	230V 50/60Hz	2x15	2.8	2x26.3 Max	T 40 B	110	●	▲	●	●
BV302D18028	230V 50/60Hz	2x18	2.8	2x30.9 Max	T 40 B	110		▲		●
BV302D24028	230V 50/60Hz	2x24	2.8	2x43.5 Max	T 40 B	110		▲		●