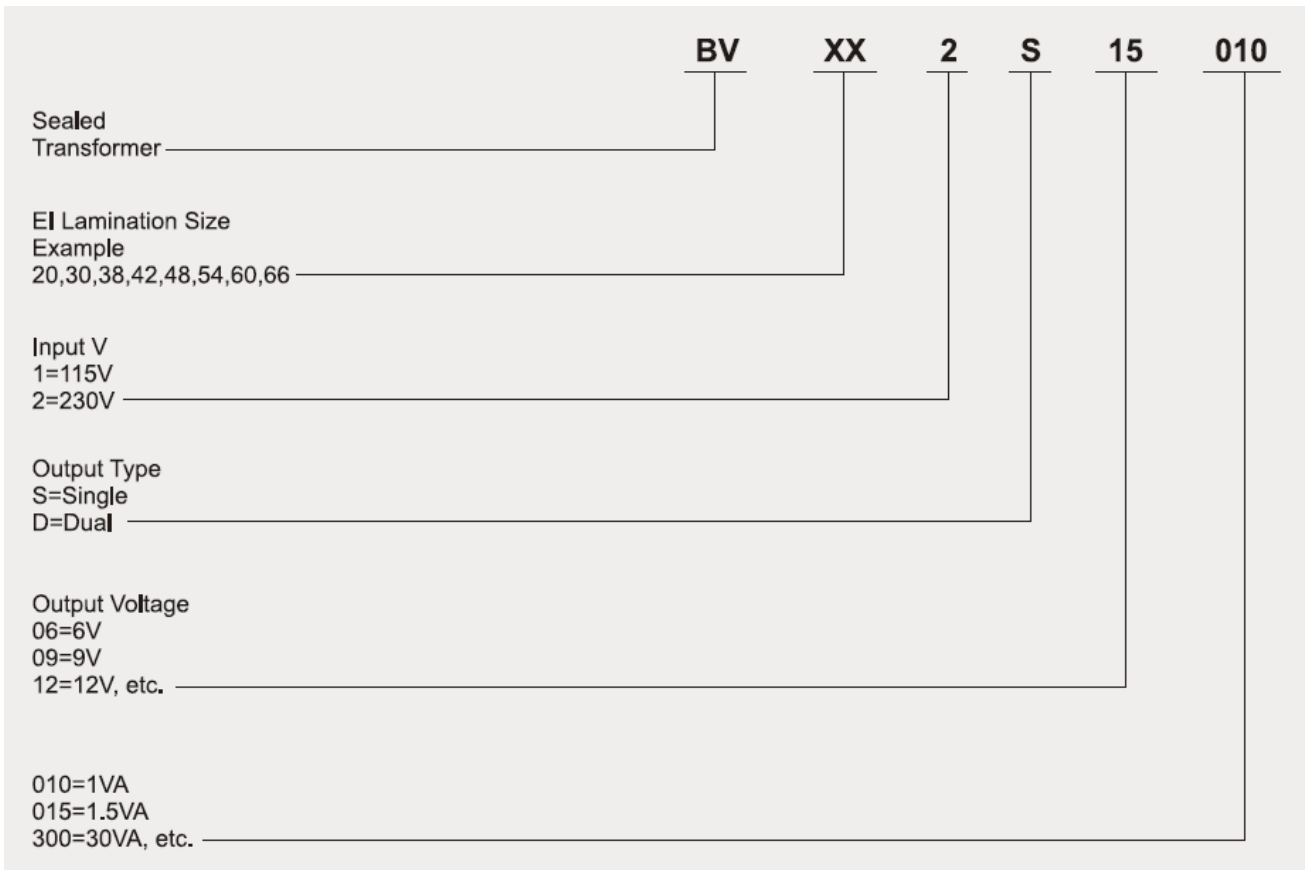


**2.4VA SEALED TRANSFORMER EI30X15.5 SERIES**



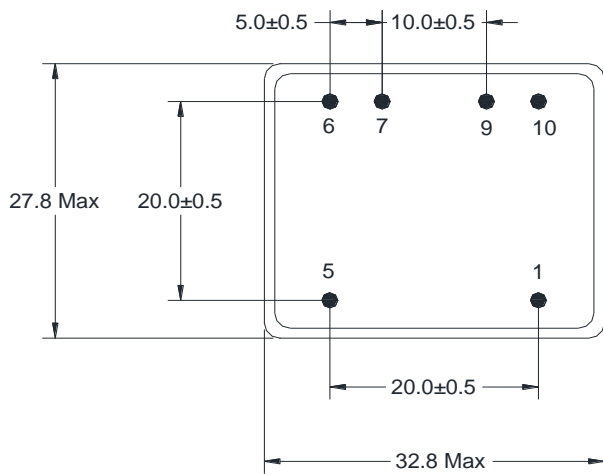
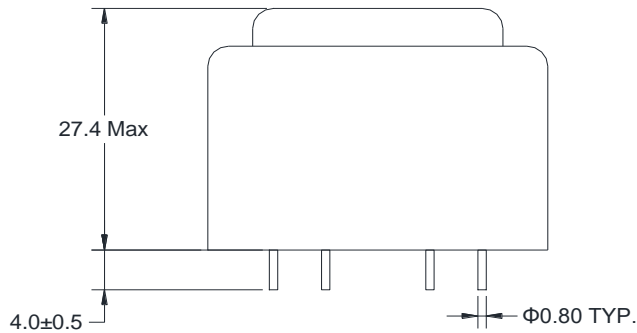
**ORDERING CODE**



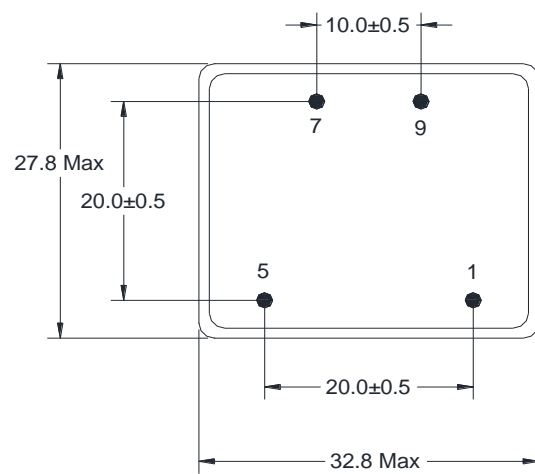
### FEATURES

- VDE, UL5085-1,-2,-3, CE Approved:  
UL file No.: E177998  
VDE file No.: 40022230  
CQC file No.: CQC09001030821
- Vacuum Filling
- Split Bobbin Design
- Self-Extinguishing Plastics UL94V-0
- Dielectric Strength:  
Input 115V: 2800Vrms  
Input 230V: 4200Vrms
- Inherently Energy Limited
- Resin Class B IEC 85  
(20,000 h Testing to IEC 216)
- Conforms to EN 61558 and EN 60950
- 100% Production Tested

### OUTLINE DIMENSIONS

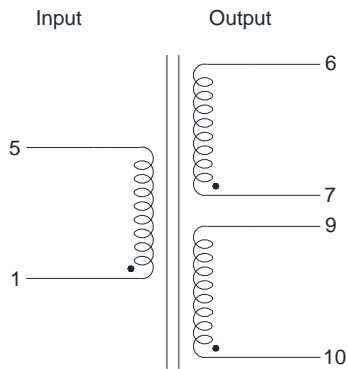


Dual output

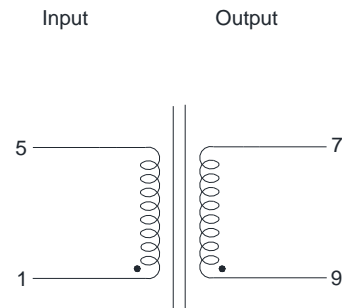


Single output

### SCHEMATIC DIAGRAM:



Dual outputs



Single output

### ELECTRONIC SPECIFICATIONS

Order Number	Input Voltage	SEC.Voltage (V)	Rated Power (VA)	No-load Voltage (V)	Ambient TEMP. (°C)	Weight (g)	Certificate			
							VDE	UL	CQC	CE
BV301S06024	115V 50/60Hz	6	2.4	10.5 Max	T 40 B	100	●	▲		●
BV301S09024	115V 50/60Hz	9	2.4	15.5 Max	T 40 B	100	●	▲		●
BV301S10024	115V 50/60Hz	10	2.4	16.0 Max	T 40 B	100	●	▲		●
BV301S12024	115V 50/60Hz	12	2.4	21.0 Max	T 40 B	100	●	▲		●
BV301S15024	115V 50/60Hz	15	2.4	25.3 Max	T 40 B	100	●	▲		●
BV301S18024	115V 50/60Hz	18	2.4	31.0 Max	T 40 B	100	●	▲		●
BV301S24024	115V 50/60Hz	24	2.4	42.0 Max	T 40 B	100	●	▲		●
BV301D06024	115V 50/60Hz	2x6	2.4	2x10.5Max	T 40 B	100	●	▲		●
BV301D09024	115V 50/60Hz	2x9	2.4	2x15.5 Max	T 40 B	100	●	▲		●
BV301D10024	115V 50/60Hz	2X10	2.4	2x16.0 Max	T 40 B	100	●	▲		●
BV301D12024	115V 50/60Hz	2x12	2.4	2x21.0 Max	T 40 B	100	●	▲		●
BV301D15024	115V 50/60Hz	2x15	2.4	2x25.3 Max	T 40 B	100	●	▲		●
BV301D18024	115V 50/60Hz	2x18	2.4	2x31.0 Max	T 40 B	100		▲		●
BV301D24024	115V 50/60Hz	2x24	2.4	2x42.0Max	T 40 B	100		▲		●
BV302S06024	230V 50/60Hz	6	2.4	10.5 Max	T 40 B	100	●	▲	●	●
BV302S09024	230V 50/60Hz	9	2.4	15.5 Max	T 40 B	100	●	▲	●	●
BV302S10024	230V 50/60Hz	10	2.4	16.0 Max	T 40 B	100	●	▲	●	●
BV302S12024	230V 50/60Hz	12	2.4	21.0 Max	T 40 B	100	●	▲	●	●
BV302S15024	230V 50/60Hz	15	2.4	25.3 Max	T 40 B	100	●	▲	●	●
BV302S18024	230V 50/60Hz	18	2.4	31.0 Max	T 40 B	100	●	▲	●	●
BV302S24024	230V 50/60Hz	24	2.4	42.0 Max	T 40 B	100	●	▲	●	●
BV302D06024	230V 50/60Hz	2x6	2.4	2x10.5Max	T 40 B	100	●	▲	●	●
BV302D09024	230V 50/60Hz	2x9	2.4	2x15.5 Max	T 40 B	100	●	▲	●	●
BV302D10024	230V 50/60Hz	2X10	2.4	2x16.0 Max	T 40 B	100	●	▲	●	●
BV302D12024	230V 50/60Hz	2x12	2.4	2x21.0 Max	T 40 B	100	●	▲	●	●
BV302D15024	230V 50/60Hz	2x15	2.4	2x25.3 Max	T 40 B	100	●	▲	●	●
BV302D18024	230V 50/60Hz	2x18	2.4	2x31.0 Max	T 40 B	100		▲		●
BV302D24024	230V 50/60Hz	2x24	2.4	2x42.0Max	T 40 B	100		▲		●