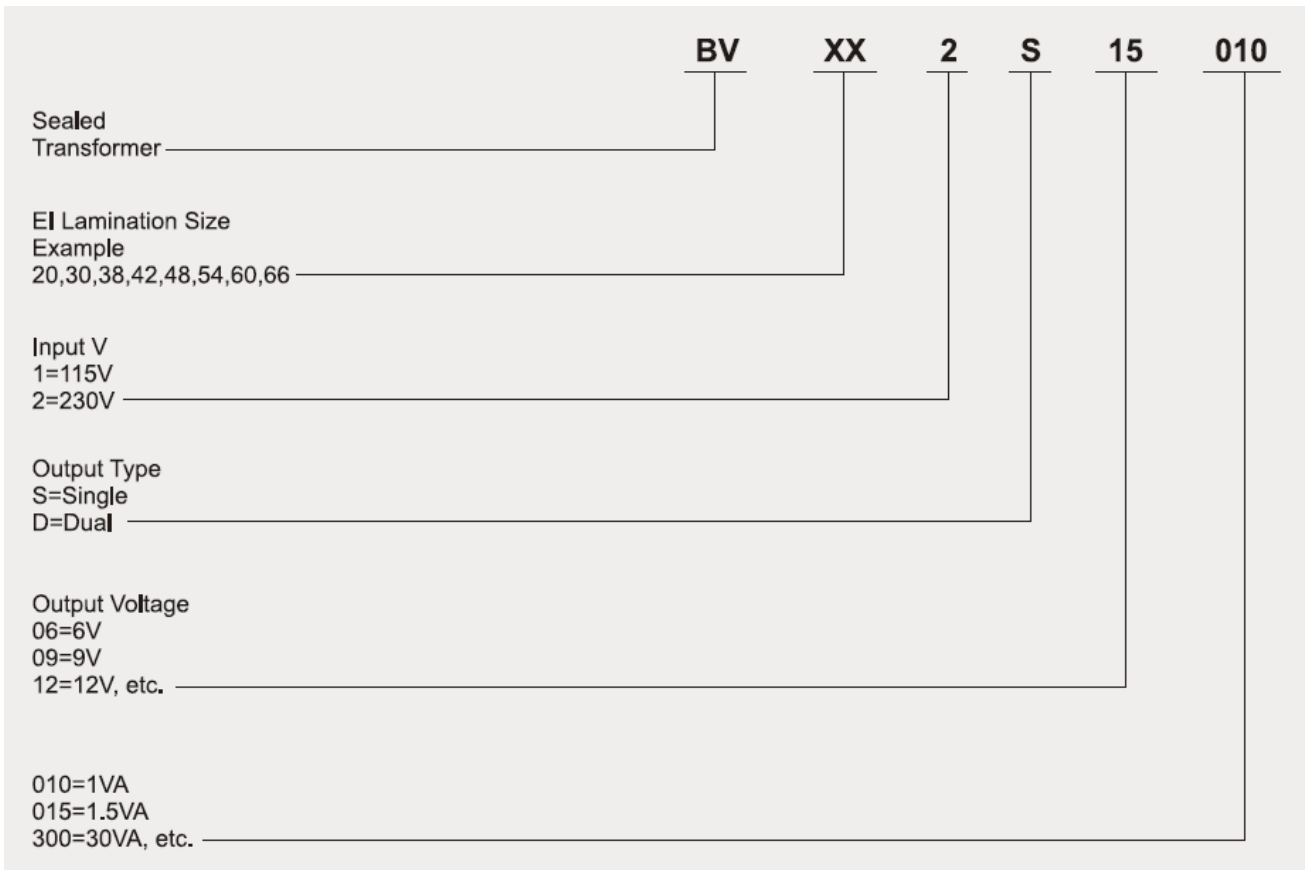


2.0VA SEALED TRANSFORMER EI30X15.5 SERIES



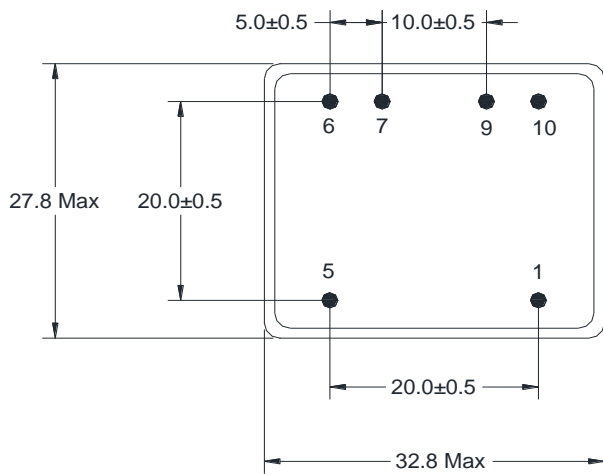
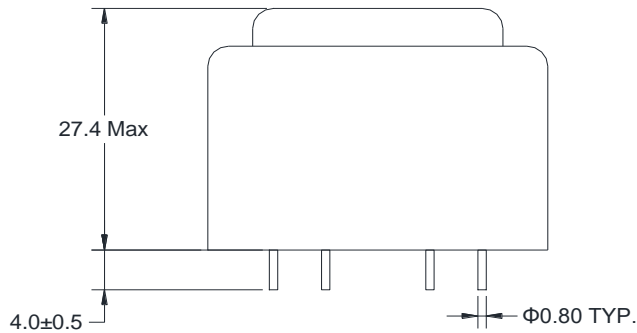
ORDERING CODE



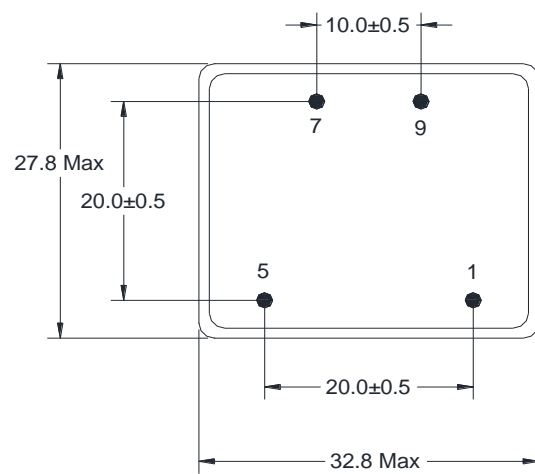
FEATURES

- VDE, UL5085-1,-2,-3, CE Approved:
UL file No.: E214561 class 2/3 E177998
VDE file No.: 40022230
CQC file No.: CQC09001030821
- Vacuum Filling
- Split Bobbin Design
- Self-Extinguishing Plastics UL94V-0
- Dielectric Strength:
Input 115V: 2800Vrms
Input 230V: 4200Vrms
- Inherently Energy Limited
- Resin Class B IEC 85
(20,000 h Testing to IEC 216)
- Conforms to EN 61558 and EN 60950
- 100% Production Tested

OUTLINE DIMENSIONS

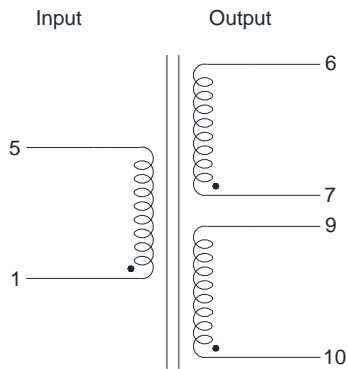


Dual output

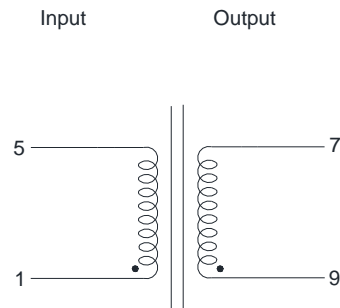


Single output

SCHEMATIC DIAGRAM:



Dual outputs



Single output

ELECTRONIC SPECIFICATIONS

Order Number	Input Voltage	SEC.Voltage (V)	Rated Power (VA)	No-load Voltage (V)	Ambient TEMP. (°C)	Weight (g)	Certificate			
							VDE	UL	CQC	CE
BV301S06020	115V 50/60Hz	6	2.0	10.4 Max	T 70 B	100	●	★		●
BV301S09020	115V 50/60Hz	9	2.0	15.5 Max	T 70 B	100	●	★		●
BV301S10020	115V 50/60Hz	10	2.0	16.0 Max	T 70 B	100	●	★		●
BV301S12020	115V 50/60Hz	12	2.0	20.7 Max	T 70 B	100	●	★		●
BV301S15020	115V 50/60Hz	15	2.0	25.8 Max	T 70 B	100	●	★		●
BV301S18020	115V 50/60Hz	18	2.0	30.8 Max	T 70 B	100	●	★		●
BV301S24020	115V 50/60Hz	24	2.0	41.4 Max	T 70 B	100	●	★		●
BV301D06020	115V 50/60Hz	2x6	2.0	2x10.4Max	T 70 B	100	●	★		●
BV301D09020	115V 50/60Hz	2x9	2.0	2x15.5 Max	T 70 B	100	●	★		●
BV301D10020	115V 50/60Hz	2X10	2.0	2x16.0 Max	T 70 B	100	●	★		●
BV301D12020	115V 50/60Hz	2x12	2.0	2x20.7 Max	T 70 B	100	●	★		●
BV301D15020	115V 50/60Hz	2x15	2.0	2x25.8 Max	T 70 B	100	●	★		●
BV301D18020	115V 50/60Hz	2x18	2.0	2x30.8 Max	T 70 B	100		▲		●
BV301D24020	115V 50/60Hz	2x24	2.0	2x41.4Max	T 70 B	100		▲		●
BV302S06020	230V 50/60Hz	6	2.0	10.4 Max	T 70 B	100	●	★	●	●
BV302S09020	230V 50/60Hz	9	2.0	15.5 Max	T 70 B	100	●	★	●	●
BV302S10020	230V 50/60Hz	10	2.0	16.0 Max	T 70 B	100	●	★	●	●
BV302S12020	230V 50/60Hz	12	2.0	20.7 Max	T 70 B	100	●	★	●	●
BV302S15020	230V 50/60Hz	15	2.0	25.8 Max	T 70 B	100	●	★	●	●
BV302S18020	230V 50/60Hz	18	2.0	30.8 Max	T 70 B	100	●	★	●	●
BV302S24020	230V 50/60Hz	24	2.0	41.4 Max	T 70 B	100	●	★	●	●
BV302D06020	230V 50/60Hz	2x6	2.0	2x10.4Max	T 70 B	100	●	★	●	●
BV302D09020	230V 50/60Hz	2x9	2.0	2x15.5 Max	T 70 B	100	●	★	●	●
BV302D10020	230V 50/60Hz	2X10	2.0	2x16.0 Max	T 70 B	100	●	★	●	●
BV302D12020	230V 50/60Hz	2x12	2.0	2x20.7 Max	T 70 B	100	●	★	●	●
BV302D15020	230V 50/60Hz	2x15	2.0	2x25.8 Max	T 70 B	100	●	★	●	●
BV302D18020	230V 50/60Hz	2x18	2.0	2x30.8 Max	T 70 B	100		▲		●
BV302D24020	230V 50/60Hz	2x24	2.0	2x41.4Max	T 70 B	100		▲		●