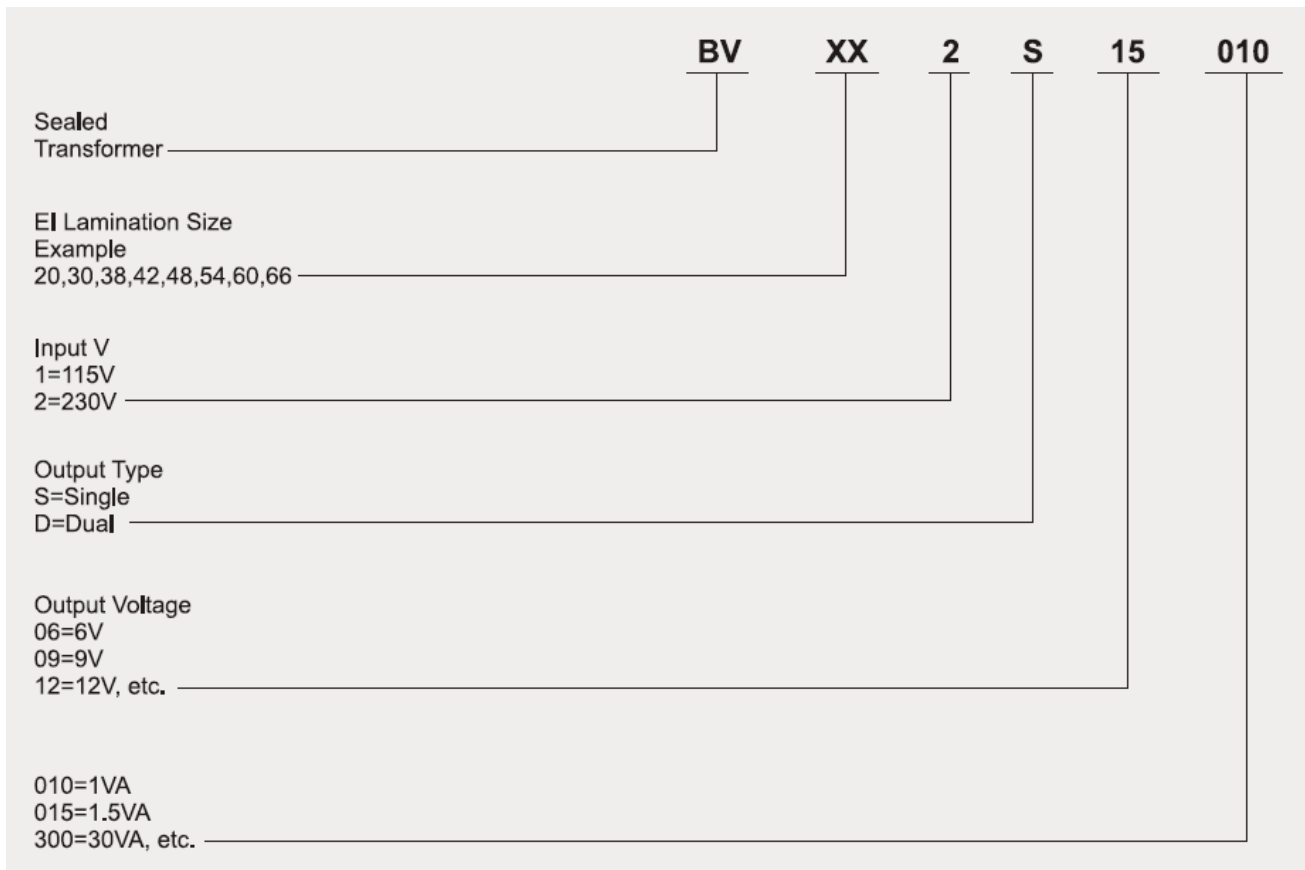


### 1.0VA SEALED TRANSFORMER EI30 SERIES



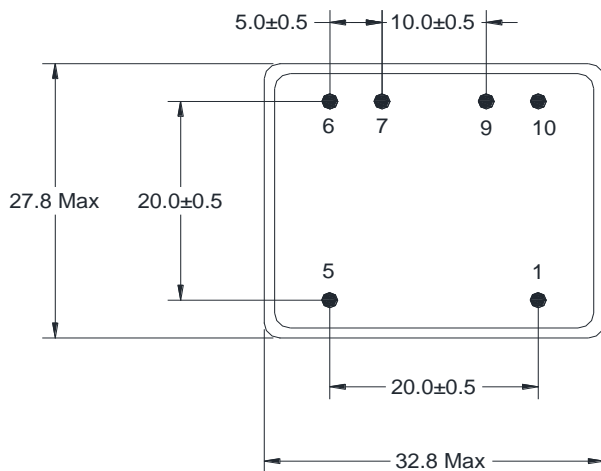
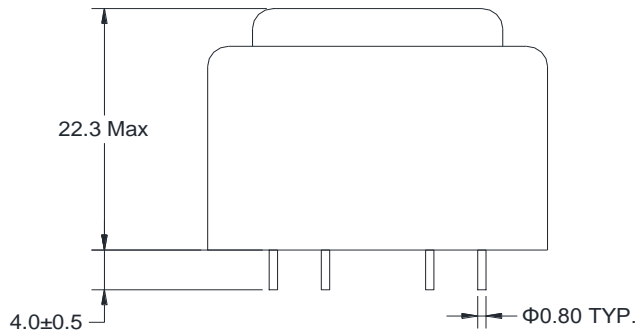
### ORDERING CODE



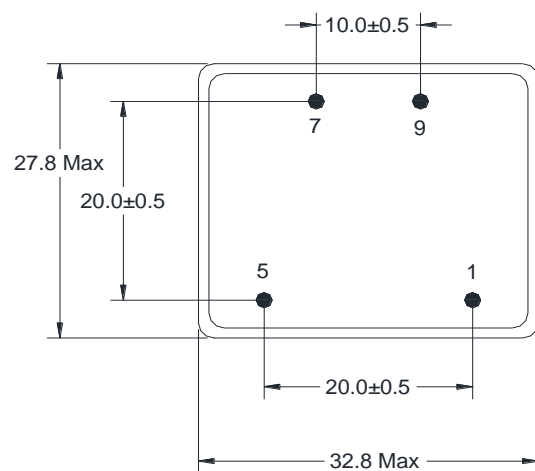
### FEATURES

- VDE, UL5085-1,-2,-3, CE Approved:  
UL file No.: E214561 class 2/3 E177998  
VDE file No.: 40022230  
CQC file No.: CQC09001030821
- Vacuum Filling
- Split Bobbin Design
- Self-Extinguishing Plastics UL94V-0
- Dielectric Strength:  
Input 115V: 2800Vrms  
Input 230V: 4200Vrms
- Inherently Energy Limited
- Resin Class B IEC 85  
(20,000 h Testing to IEC 216)
- Conforms to EN 61558 and EN 60950
- 100% Production Tested

### OUTLINE DIMENSIONS

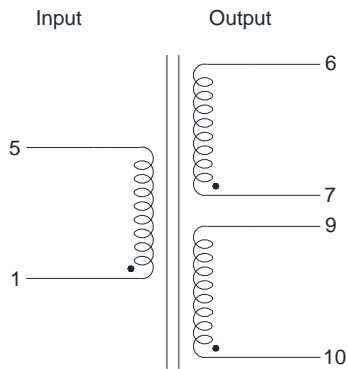


Dual output

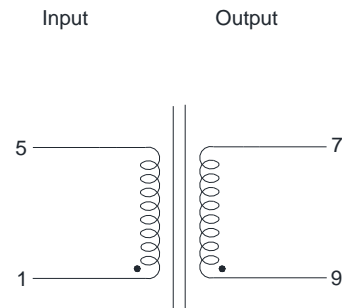


Single output

### SCHEMATIC DIAGRAM:



Dual outputs



Single output

### ELECTRONIC SPECIFICATIONS

Order Number	Input Voltage	SEC.Voltage (V)	Rated Power (VA)	No-load Voltage (V)	Ambient TEMP. (°C)	Weight (g)	Certificate			
							VDE	UL	CQC	CE
BV301S06010	115V 50/60Hz	6	1.0	8.6 Max	T 70 B	70	●	★		●
BV301S09010	115V 50/60Hz	9	1.0	12.9 Max	T 70 B	70	●	★		●
BV301S10010	115V 50/60Hz	10	1.0	13.5 Max	T 70 B	70	●	★		●
BV301S12010	115V 50/60Hz	12	1.0	17.2 Max	T 70 B	70	●	★		●
BV301S15010	115V 50/60Hz	15	1.0	21.6 Max	T 70 B	70	●	★		●
BV301S18010	115V 50/60Hz	18	1.0	25.9 Max	T 70 B	70	●	★		●
BV301S24010	115V 50/60Hz	24	1.0	37.9 Max	T 70 B	70	●	★		●
BV301D06010	115V 50/60Hz	2x6	1.0	2x8.6 Max	T 70 B	70	●	★		●
BV301D09010	115V 50/60Hz	2x9	1.0	2x12.9 Max	T 70 B	70	●	★		●
BV301D10010	115V 50/60Hz	2X10	1.0	2x13.5 Max	T 70 B	70	●	★		●
BV301D12010	115V 50/60Hz	2x12	1.0	2x17.2 Max	T 70 B	70	●	★		●
BV301D15010	115V 50/60Hz	2x15	1.0	2x21.6 Max	T 70 B	70	●	▲		●
BV301D18010	115V 50/60Hz	2x18	1.0	2x25.9 Max	T 70 B	70		▲		●
BV301D24010	115V 50/60Hz	2x24	1.0	2x37.9 Max	T 70 B	70		▲	●	●
BV302S06010	230V 50/60Hz	6	1.0	8.6 Max	T 70 B	70	●	★	●	●
BV302S09010	230V 50/60Hz	9	1.0	12.9 Max	T 70 B	70	●	★	●	●
BV302S10010	230V 50/60Hz	10	1.0	13.5 Max	T 70 B	70	●	★	●	●
BV302S12010	230V 50/60Hz	12	1.0	17.2 Max	T 70 B	70	●	★	●	●
BV302S15010	230V 50/60Hz	15	1.0	21.6 Max	T 70 B	70	●	★	●	●
BV302S18010	230V 50/60Hz	18	1.0	25.9 Max	T 70 B	70	●	★	●	●
BV302S24010	230V 50/60Hz	24	1.0	37.9 Max	T 70 B	70	●	★	●	●
BV302D06010	230V 50/60Hz	2x6	1.0	2x8.6 Max	T 70 B	70	●	★	●	●
BV302D09010	230V 50/60Hz	2x9	1.0	2x12.9 Max	T 70 B	70	●	★	●	●
BV302D10010	230V 50/60Hz	2X10	1.0	2x13.5 Max	T 70 B	70	●	★	●	●
BV302D12010	230V 50/60Hz	2x12	1.0	2x17.2 Max	T 70 B	70	●	★	●	●
BV302D15010	230V 50/60Hz	2x15	1.0	2x21.6 Max	T 70 B	70		▲		●
BV302D18010	230V 50/60Hz	2x18	1.0	2x25.9 Max	T 70 B	70		▲		●
BV302D24010	230V 50/60Hz	2x24	1.0	2x37.9 Max	T 70 B	70		▲		●