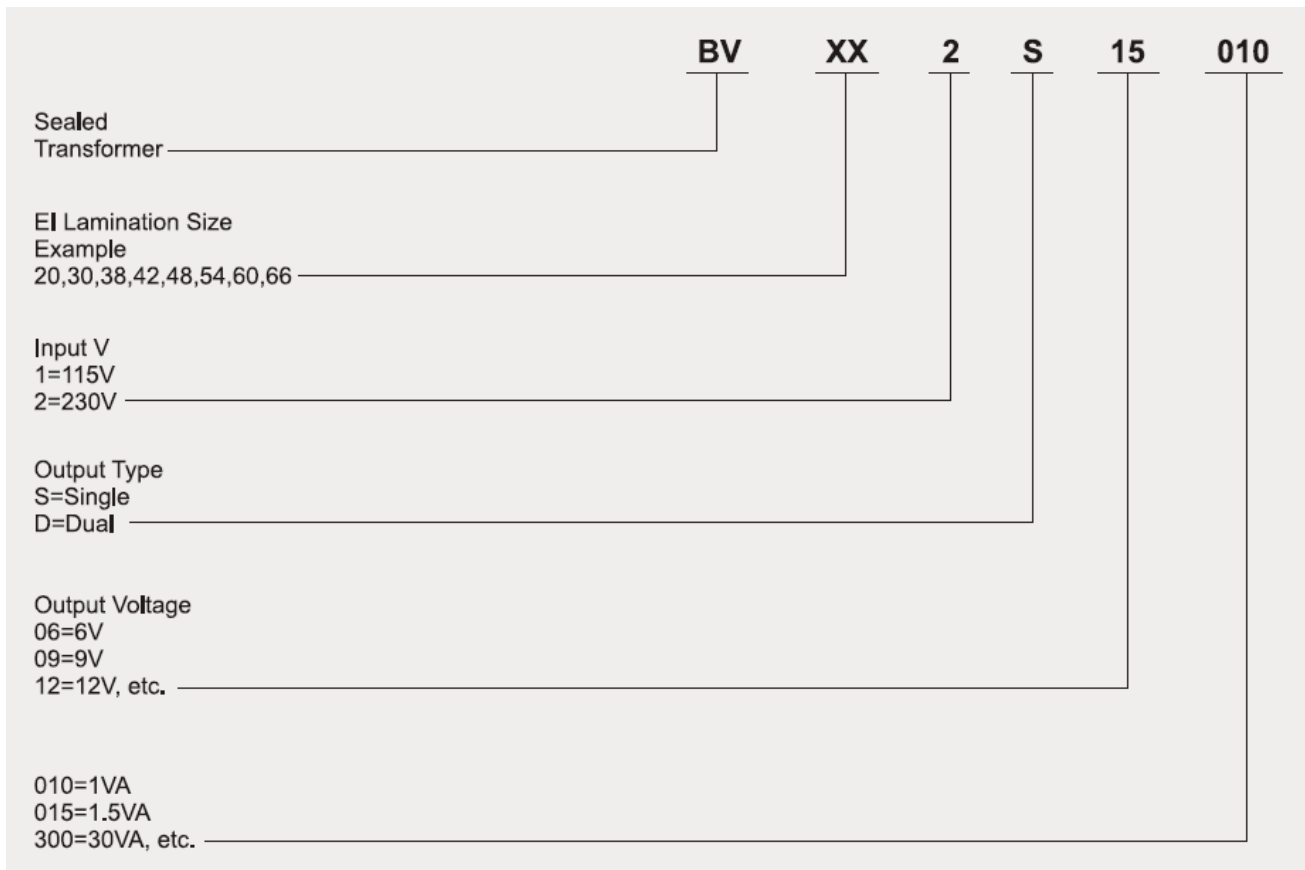


0.6VA SEALED TRANSFORMER EE20 SERIES



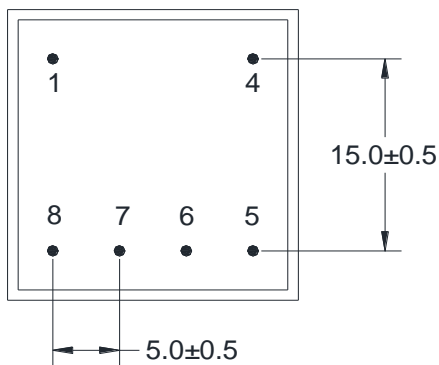
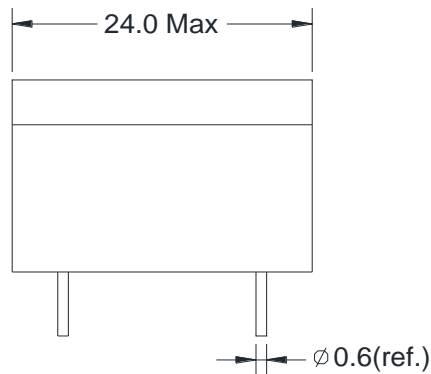
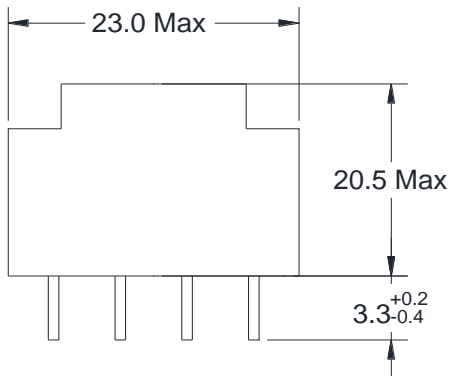
ORDERING CODE



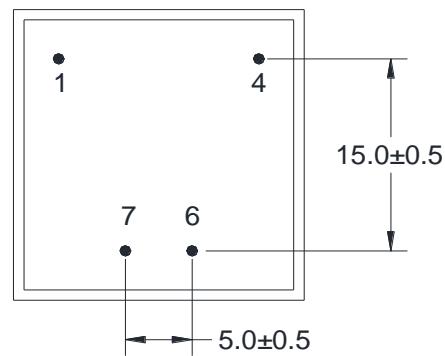
FEATURES

- VDE, UL5085-1,-2,-3, CE Approved:
UL file No.: E214561 class 2/3
VDE file No.: 40032785
CQC file No.: CQC09001030821
- Vacuum Filling
- Split Bobbin Design
- Self-Extinguishing Plastics UL94V-0
- Dielectric Strength:
Input 115V: 2800Vrms
Input 230V: 4200Vrms
- Inherently Energy Limited
- Resin Class B IEC 85
(20,000 h Testing to IEC 216)
- Conforms to EN 61558 and EN 60950
- 100% Production Tested

OUTLINE DIMENSIONS

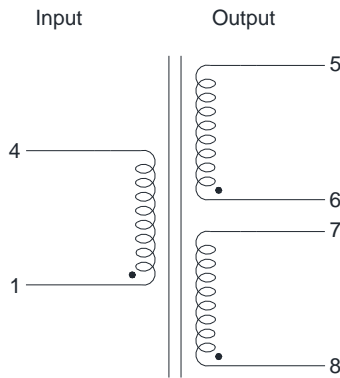


Dual output

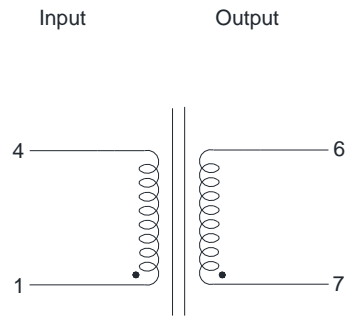


Single output

SCHEMATIC DIAGRAM:



Dual outputs



Single output

ELECTRONIC SPECIFICATIONS

Order Number	Input Voltage	SEC Voltage (V)	Rated Power (VA)	No-load Voltage (V)	Ambient TEMP. (°C)	Weight (g)	Certificate			
							VDE	UL	CQC	CE
BV201S06006	115V 50/60Hz	6	0.6	11.5 Max	T 50 B	40	●	●		●
BV201S09006	115V 50/60Hz	9	0.6	14.5 Max	T 50 B	40	●	●		●
BV201S10006	115V 50/60Hz	10	0.6	15.5 Max	T 50 B	40	●	●		●
BV201S12006	115V 50/60Hz	12	0.6	18.5 Max	T 50 B	40	●	●		●
BV201S15006	115V 50/60Hz	15	0.6	22.5 Max	T 50 B	40	●	●		●
BV201S18006	115V 50/60Hz	18	0.6	26.5 Max	T 50 B	40	●	●		●
BV201S24006	115V 50/60Hz	24	0.6	35.5 Max	T 50 B	40	●	●		●
BV201D06006	115V 50/60Hz	2x6	0.6	2x11.5 Max	T 50 B	40	●	●		●
BV201D09006	115V 50/60Hz	2x9	0.6	2x14.5 Max	T 50 B	40	●	●		●
BV201D10006	115V 50/60Hz	2X10	0.6	2x15.5 Max	T 50 B	40	●	●		●
BV201D12006	115V 50/60Hz	2x12	0.6	2x19.5 Max	T 50 B	40	●	●		●
BV201D15006	115V 50/60Hz	2x15	0.6	2x24.5 Max	T 50 B	40		●		●
BV201D18006	115V 50/60Hz	2x18	0.6	2x27.5 Max	T 50 B	40		●		●
BV201D24006	115V 50/60Hz	2x24	0.6	2x35.5 Max	T 50 B	40		●		●
BV202S06006	230V 50/60Hz	6	0.6	11.5 Max	T 50 B	40	●	●	●	●
BV202S09006	230V 50/60Hz	9	0.6	14.5 Max	T 50 B	40	●	●	●	●
BV202S10006	230V 50/60Hz	10	0.6	15.5 Max	T 50 B	40	●	●	●	●
BV202S12006	230V 50/60Hz	12	0.6	18.5 Max	T 50 B	40	●	●	●	●
BV202S15006	230V 50/60Hz	15	0.6	22.5 Max	T 50 B	40	●	●	●	●
BV202S18006	230V 50/60Hz	18	0.6	26.5 Max	T 50 B	40	●	●	●	●
BV202S24006	230V 50/60Hz	24	0.6	35.5 Max	T 50 B	40	●	●	●	●
BV202D06006	230V 50/60Hz	2x6	0.6	2x11.5 Max	T 50 B	40	●	●	●	●
BV202D09006	230V 50/60Hz	2x9	0.6	2x14.5 Max	T 50 B	40	●	●	●	●
BV202D10006	230V 50/60Hz	2X10	0.6	2x15.5 Max	T 50 B	40	●	●	●	●
BV202D12006	230V 50/60Hz	2x12	0.6	2x19.5 Max	T 50 B	40	●	●	●	●
BV202D15006	230V 50/60Hz	2x15	0.6	2x24.5 Max	T 50 B	40		●	●	●
BV202D18006	230V 50/60Hz	2x18	0.6	2x27.5 Max	T 50 B	40		●		●
BV202D24006	230V 50/60Hz	2x24	0.6	2x35.5 Max	T 50 B	40		●		●