

Specification for approval

Description: Seal switching power module

Customer p/n: _____

ZETTLER p/n: ZP08S1200WK

Revision: A4

Drafted: Xiaodi

Checked: Xiaxia

Approved: Xie xianzhi

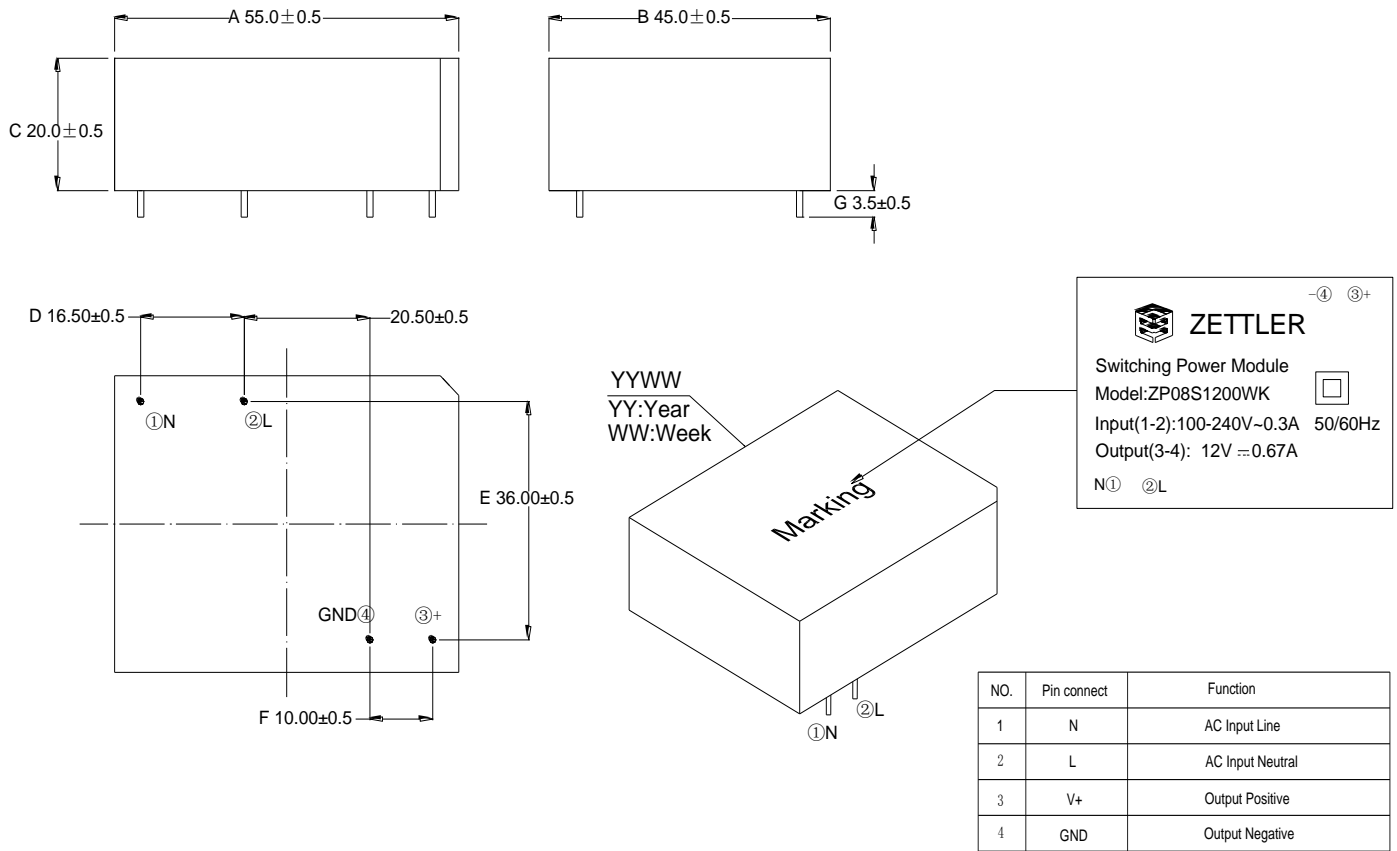


A4	2018/5/3	Modify Label and address	WZX
A3	2017/2/9	Modify Pin distance	WZX
A2	2016/12/30	Modify product PN	WZX
A1	2016/12/21	Modify Pin length from 3.0Min to 3.5±5mm	WZX
A0	2016/7/26	Initial Release	WZX
Rev.	Date	Description	Approved

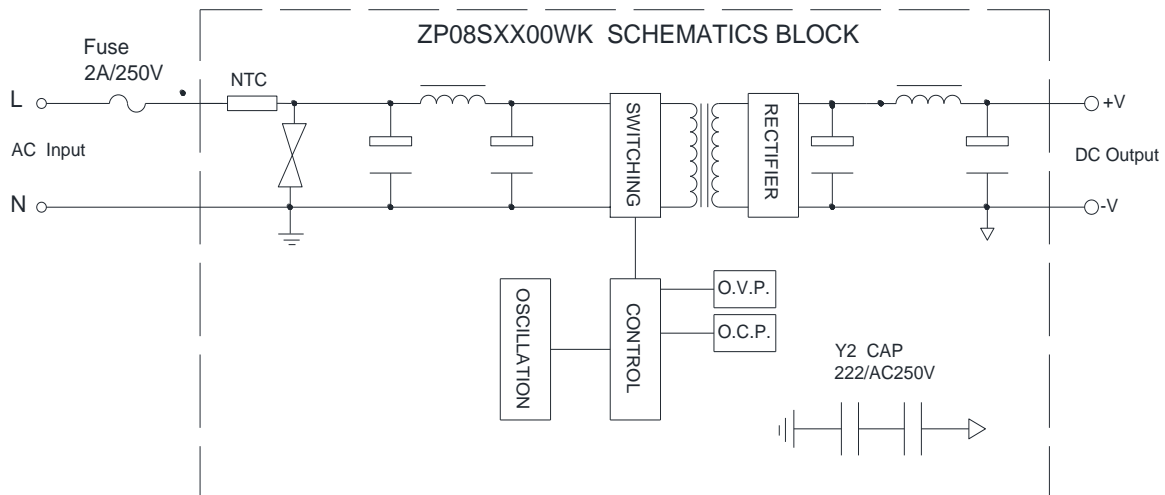
Approved by Customer : _____

Friendly Reminder: Please help to sign this Spec when approve , and fax to our company . Or else, we will consider you have accepted it and make future order based on this Spec.

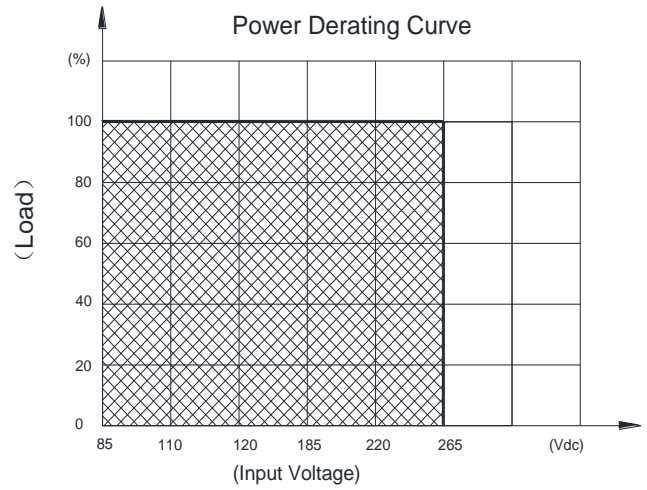
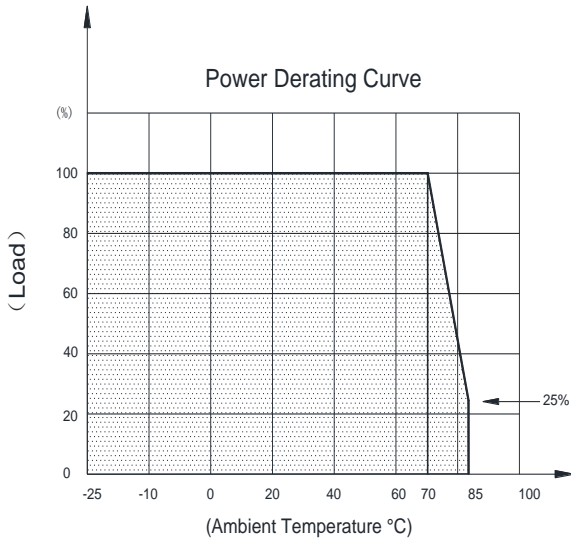
1. OUTLINE DRAWING



2. SCHEMATIC



3. POWER DERATING



4. ELECTRICAL SPECIFICATION:

ITEM	FULL LOAD POWER (W)		LOSS POWER (W)	OUTPUT VOLTAGE (VDC)		OVER POWER PROTECTION	SHORT CIRCUIT PROTECTION	HI-POT VOLTAGE
	CONDITION	Input: 110V 60Hz	Input: 220V 50Hz	Input: 110V/60Hz 220V/50Hz	Input: 110V/60Hz 220V/50Hz		110V/60Hz 220V/50Hz	220V 50Hz
TERMINAL	1--2	1--2	1--2	3--4		3--4	3--4	P--S
				0mA	667mA			
STANDARD	11.0W MAX	11.0W MAX	0.3W MAX	12.0±5%	12.0±5%	≤1.5A	Hiccup mode	5mA Max

5.ELECTRICAL SPECIFICATION

Model No.		ZP08S1200WK
Max Output Wattage (W)		8W
Input	Rate Voltage	100-240VAC
	Voltage Range	90-264VAC
	Frequency (Hz)	47-63 Hz
	POWER (Full load)	11W max.
	Inrush Current (<500us)	25 A max. (100 VAC) / 35A max. (240 VAC)
	No Load Losses	0.3W Max
	Leakage Current	0.3 mA max.
Output	Voltage 1 (V.DC.)	12V
	Voltage Accuracy	±5%
	Current (mA) max	667
	Line Regulation (LL-HL) (typ.)	±0.2%
	Voltage 2 Accuracy (At Full Load)	±0.5%
	Minimum Load	0%
	Ripple	<120mV max (Vp-p)
	Noise	<1% Output Voltage max (Vp-p)
	Efficiency (Typ)	75%
	Hold-up Time	15 ms min
	Switching Frequency	100 KHz
Protection	Over Current Protection	Hiccup mode
	Over Voltage Protection	Hiccup mode
	Short Circuit Protection	Hiccup mode
Insulation	Input vs Output (V.AC)	3600V 5mA 1min (OR 5000VDC/2S) (keep with input connected and output pin connected)
Environment	Operating Temperature	-25°C...+70°C (Full Load)
	Storage Temperature	-40°C...+105°C
	Temperature Coefficient	±0.02%/°C
	Humidity	20-95% RH
	MTBF	>300,000 h @ 25°C (MIL-HDBK-217F)
Physical	Dimension (L x W x H)	2.16 x 1.77 x1.79 Inches (55 x 45 x20 mm) Ref
	Case Material	Plastic resin with Fiberglass (flammability to UL 94V-0)
	Weight (Ref)	70g
	Cooling Method	Free air convection
Safety	Agency Approvals	Approval: Refer to IEC60950-1/EN60950-1,IEC61558-1/EN61558-1,EN61558-2-6,EN61558-2-17
EMC	EMI (Conducted & Radiated Emission)	Compliance With EN 55022 Class A
	EMS (Noise Immunity)	Compliance With EN 55024,EN55014-1, EN55014-2,EN61000-3-2 Class A,EN61000-3-3