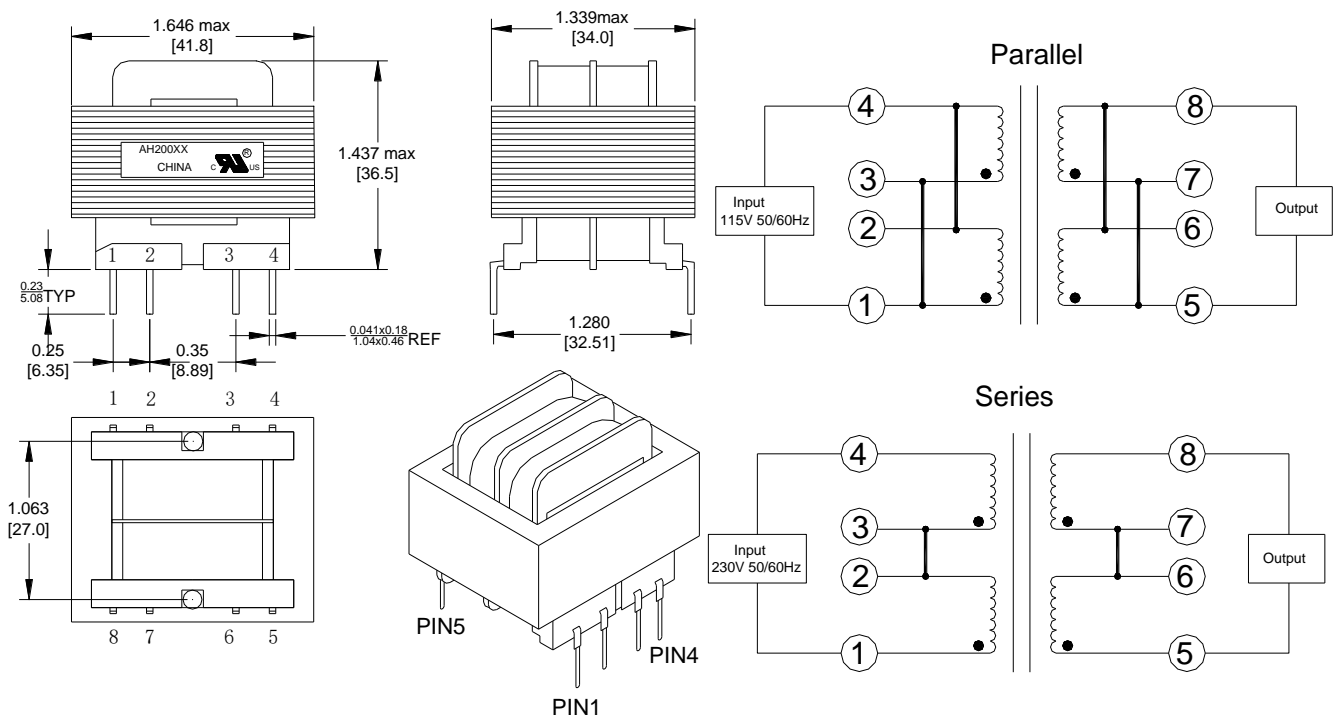


EI41-6.0VA TRANSFORMER ADH400 SERIES

FEATURES,

- UL5015-1,-3 Approved:UL File No.E177998
- Class B Insulation System
- Split bobbin Design
- Dielectric Strength 2500Vrms
- Optional Single 115V or Dual 115/230V Primaries at 50/60Hz
- Standard Dual Secondaries
- 5 Standard Sizes for a Variety of Power Application

OUTLINE DIMENSIONS



ELECTRONIC SPECIFICATIONS

Part NO	Input Voltage (V)	Series		Parallel		Rated Power (VA)	Certificate	
		Voltage (Vac)	Current (mA)	Voltage (Vac)	Current (mA)		UL	CE
ADH40010	115V/230V	10	600	5	1200	6.0VA	•	
ADH40012	115V/230V	12.6	500	6.3	1000	6.0VA	•	
ADH40016	115V/230V	16	400	8	800	6.0VA	•	
ADH40020	115V/230V	20	300	10	600	6.0VA	•	
ADH40024	115V/230V	24	250	12	500	6.0VA	•	
ADH40028	115V/230V	28	200	14	400	6.0VA	•	
ADH40036	115V/230V	36	170	18	340	6.0VA	•	
ADH40048	115V/230V	48	125	24	250	6.0VA	•	
ADH40056	115V/230V	56	110	28	220	6.0VA	•	
ADH400120	115V/230V	120	50	60	100	6.0VA	•	