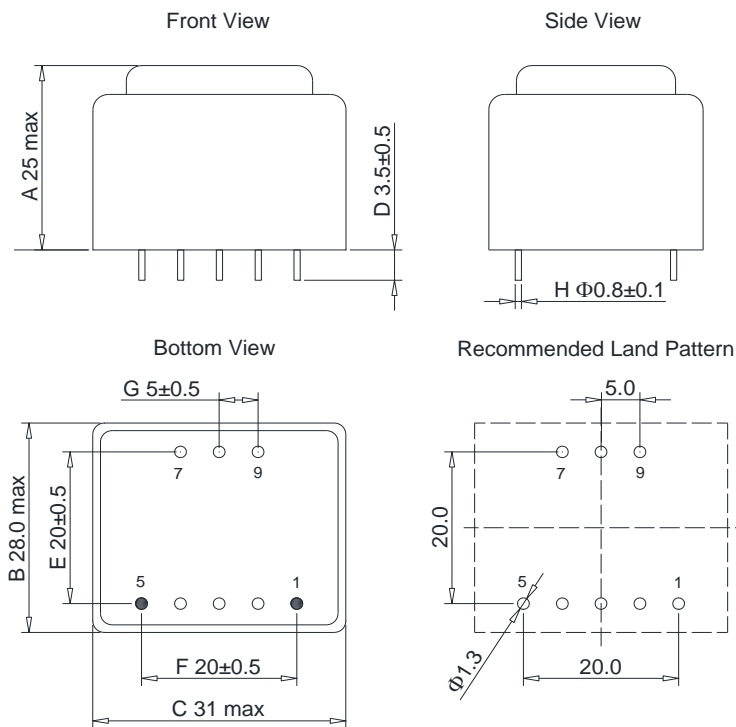
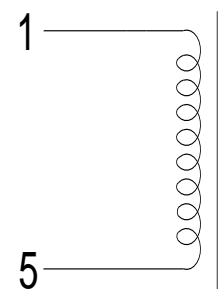


Dimensions:[mm]



Schematic



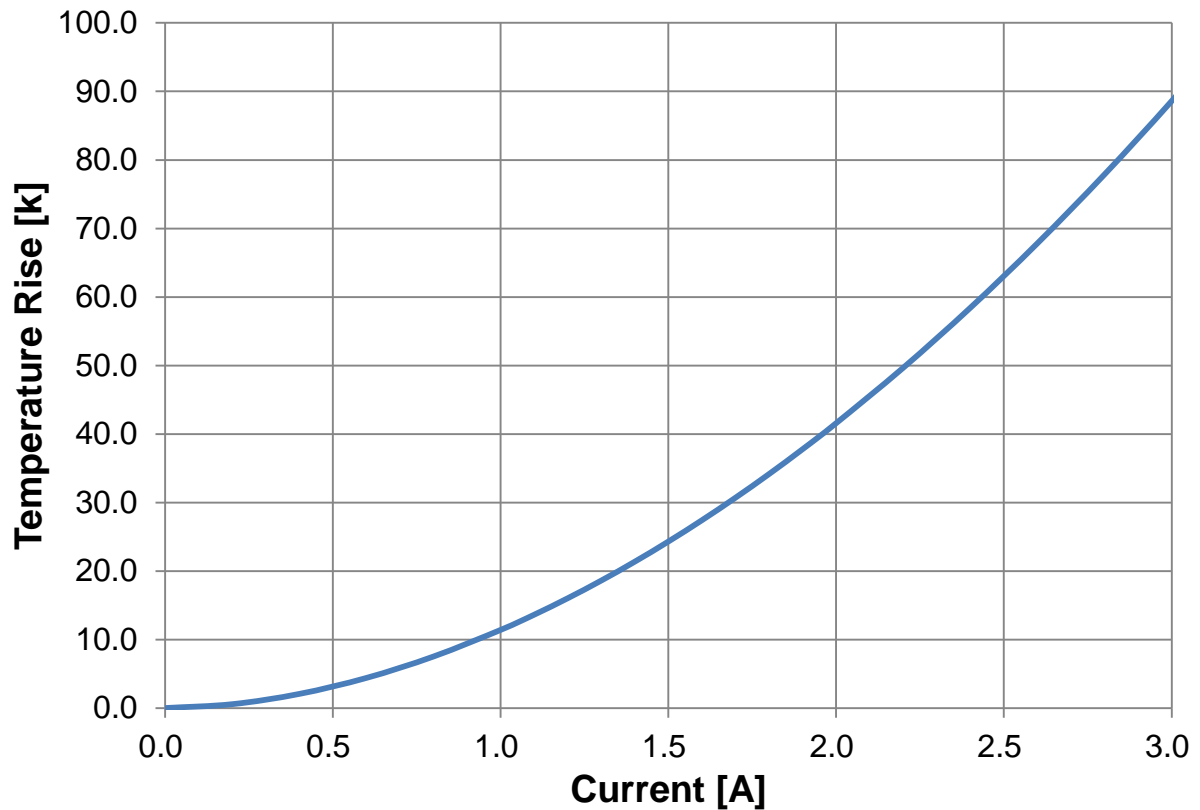
Electrical Properties @25±2°C

PROPERTIES	TERMIANL	SPECIFICATION	TEST CONDITION
Inductance	1--5	7mH±20%	1KHz,1.0V,SER
DC Resistance	1--5	0.70Ω Max	Ta=25°C
Insulation Resistance	Coil—Core	100MΩ Min	DC500V(Before Potting)
Dielectric strength	Coil—Core	1000V	3mA/1S/50Hz(Before Potting)

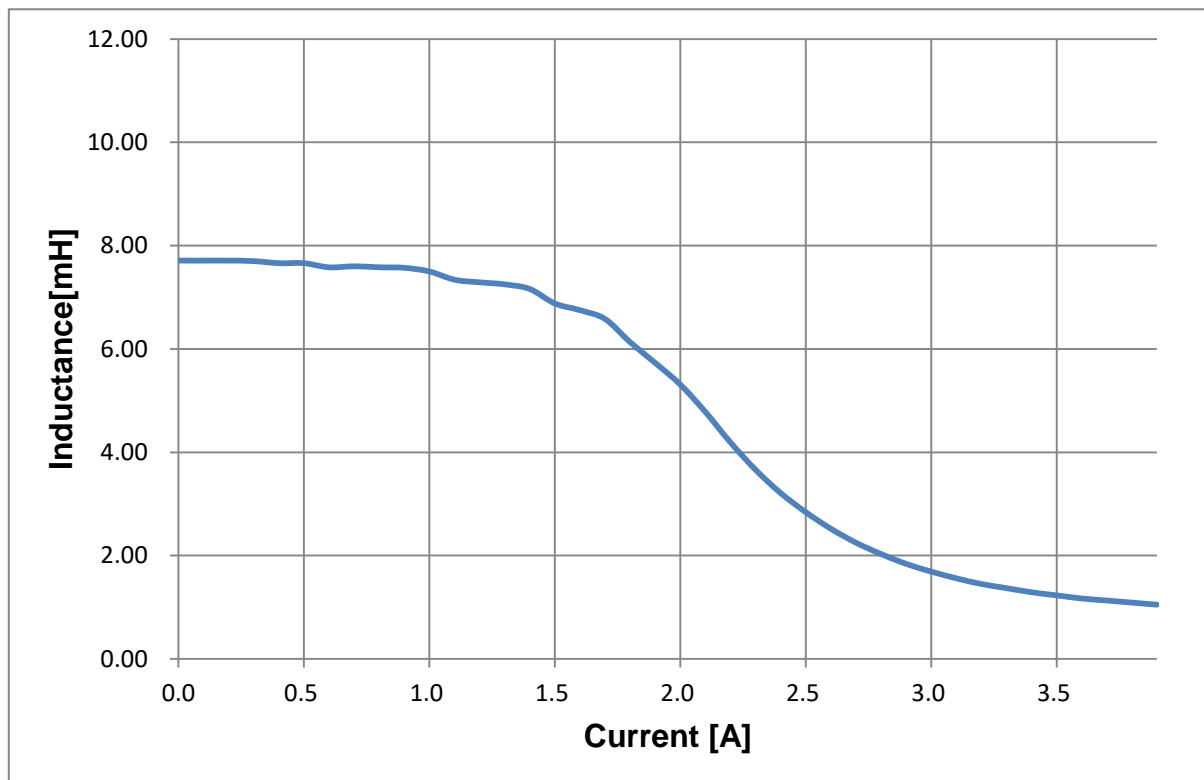
GENERAL PROPERTIES:

- Function : Reduces the harmonics of the input current(Power Factor Correction)
- Working Frequency: 50Hz/60Hz
- Operating temperature : -40°C~115°C(It is recommended that the temperature of the component does not exceed +125 °C under worst case conditions)
- Storage temperature: <40°C;75% RH(in original packaging)
- Rated Current: 2.0A (AC current (A) that will cause an approximate ΔT of 40 °C)
- RoHS Approval: Compliant directive 2011/65/EU
- REACH Approval: Conform or declared (EC)1907/2006

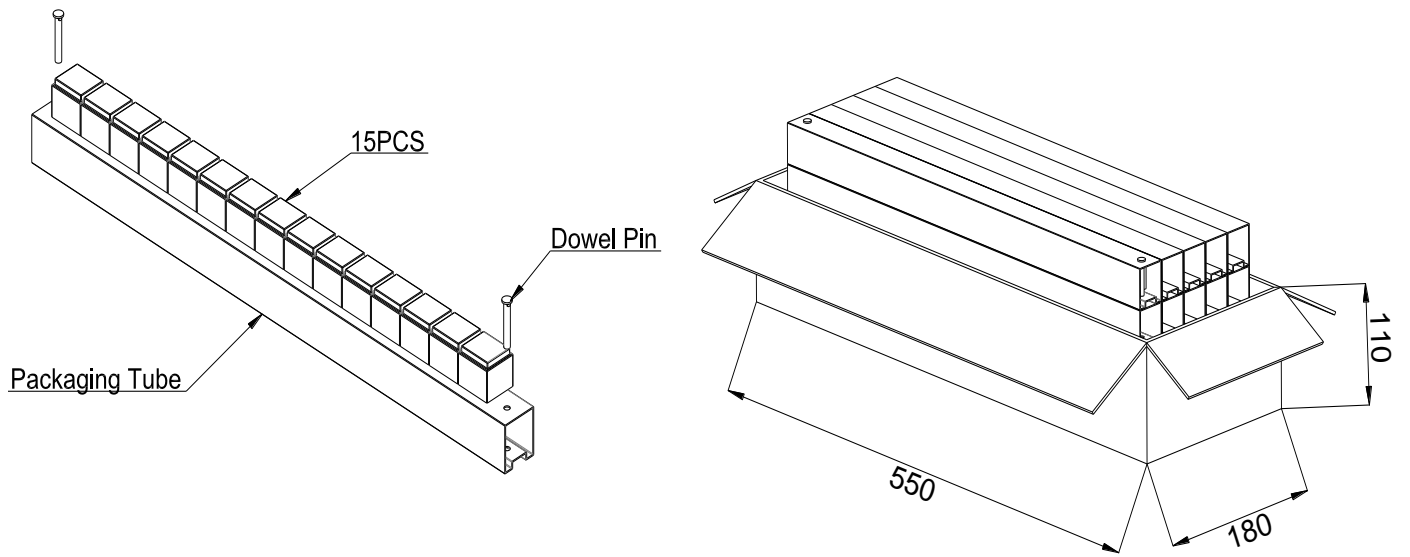
Typical Temperature Rise vs. Current Characteristics



Typical Inductance vs. Current Characteristics [Tested by DPG-10]



Packaging Specification—Tube and Carton:[mm]



No. of Tube	No. of Packaging Unit in each Tube	Packaging Unit	Material of Packaging Tube	Piece Weight (g)	Gross Weight (kg)
pcs.	pcs.	pcs.		typ.	typ.
10=5*2	15	150	PVC	94	16